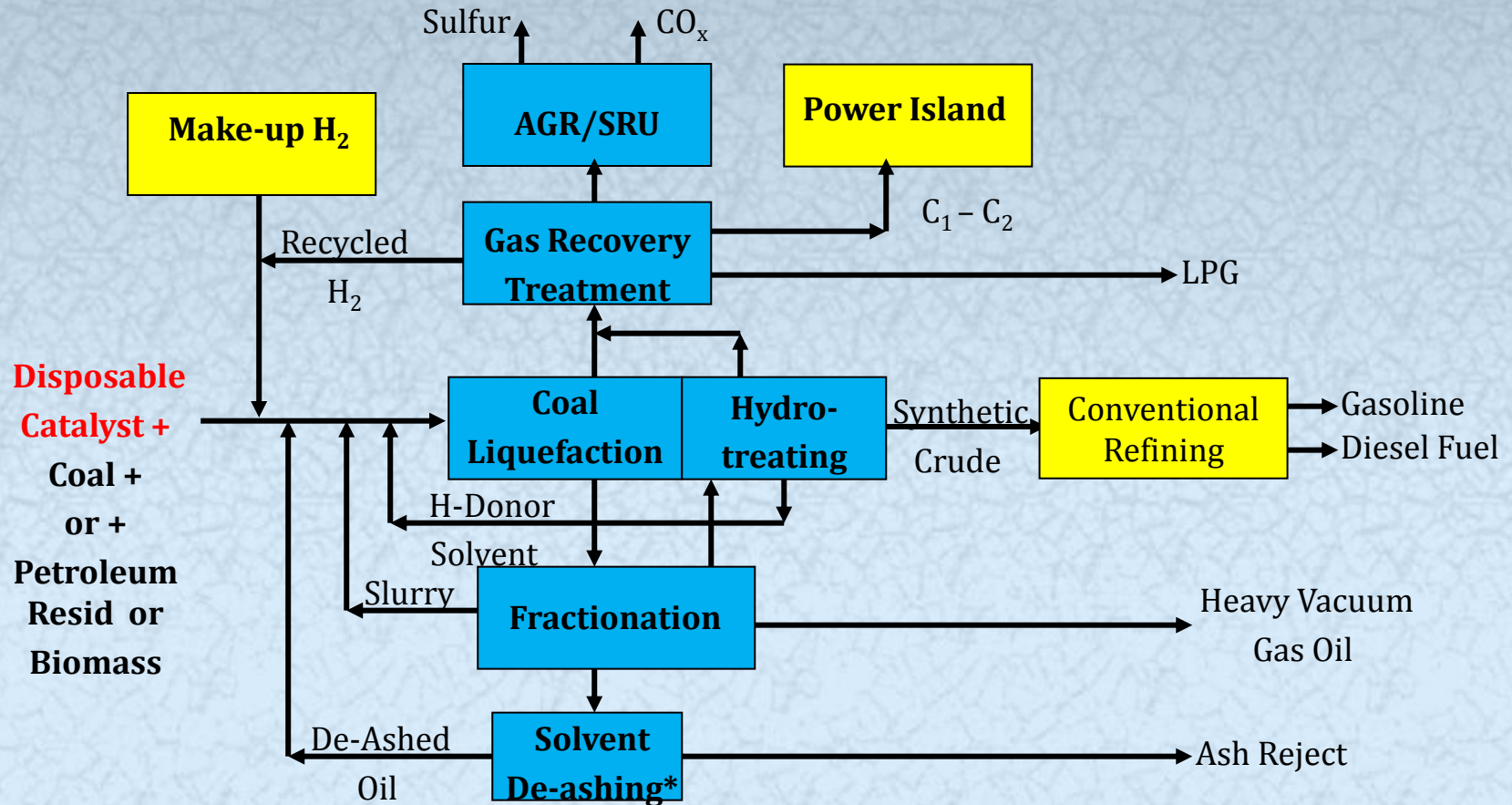


Direct Coal Liquefaction Process

Dispersed Catalyst



•* Omitted for low-ash and/or high-reactivity coal